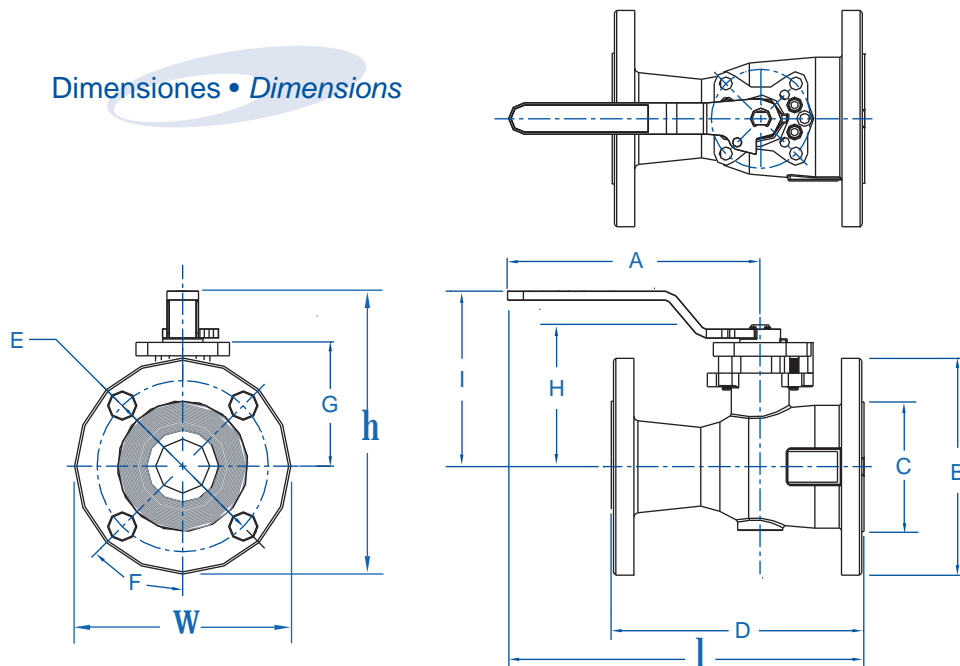


Válvulas de Bola Flotante • Floating Ball Valves

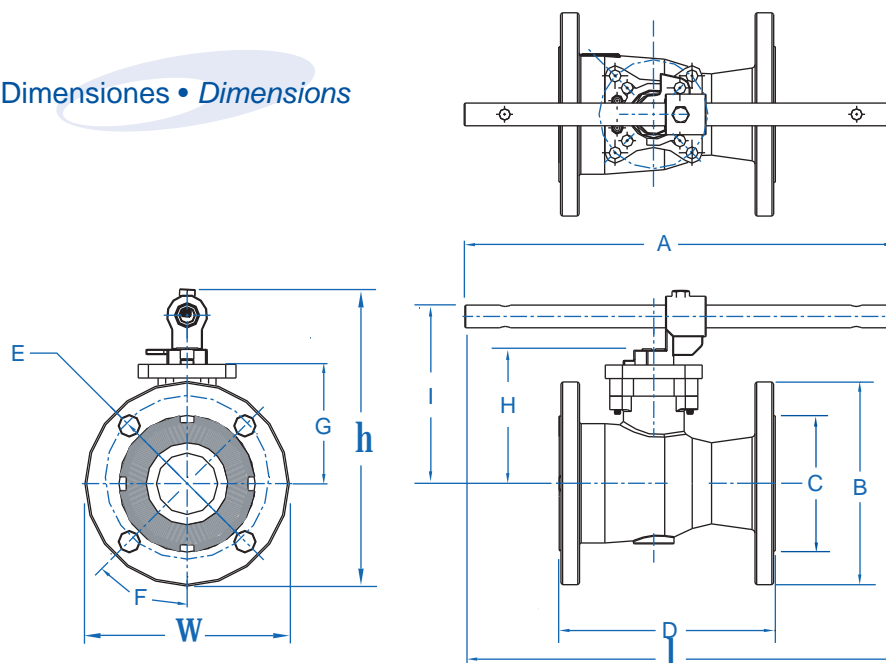
Dimensiones • Dimensions



Serie 15 • Series 15

Tamaño pulg. Size in.	A	B	C	D	E	F	G	H	I	Paso Port	Weight kg.	Peso lb.	Largo pulg. Length in.	Alto pulg. Height in.	Ancho pulg. Width in.		
1	5.75	4.25	2.00	5.00	3.13	0.63	2.50	2.98	3.63	0.75	3.00	6.613	7.54	X	5.76	X	4.25
1 1/2	7.00	5.00	2.88	6.50	3.88	0.63	3.25	3.69	4.70	1.13	5.30	11.684	9.17	X	7.20	X	5.00
2	7.00	6.00	3.62	7.00	4.75	0.75	3.44	3.97	4.90	1.50	8.00	17.636	9.88	X	7.89	X	6.00
2 1/2	7.00	7.00	4.12	8.00	5.50	0.75	3.94	4.34	5.40	2.00	11.25	24.802	10.01	X	8.89	X	7.00

Dimensiones • Dimensions



Serie 15 • Series 15

Tamaño pulg. Size in.	A	B	C	D	E	F	G	H	I	Paso Port	Weight kg.	Peso lb.	Largo pulg. Length in.	Alto pulg. Height in.	Ancho pulg. Width in.		
3	16	7.50	5.00	8.00	6.00	0.75	4.38	4.98	5.50	2.25	15.0	33.069	17.25	X	10.31	X	7.5
4	16	9.00	6.19	9.00	7.50	0.75	5.06	5.67	6.20	3.00	26.0	57.320	17.92	X	11.75	X	9.0
6	20	11.00	8.50	10.50	9.50	0.88	6.38	7.14	9.30	4.00	43.5	95.901	22.89	X	15.10	X	11.0